



## FIXED LUMINAIRE

Rated power: **Max 40W**  
Rated voltage: **230V**  
Frequency: **50Hz**

Type lamp: **E14**  
Protection degree: **IP20**  
Safety class protection: **Classe I**

### WARNING:

- 1- Read these instructions carefully before beginning to fit the lighting unit.
- 2- To preserve with care this sheet for every ulterior consultation.
- 3- This electrical unit must be installed by qualified personnel.
- 4- The following the assembly technical designs are generic (do not represent the specific article).

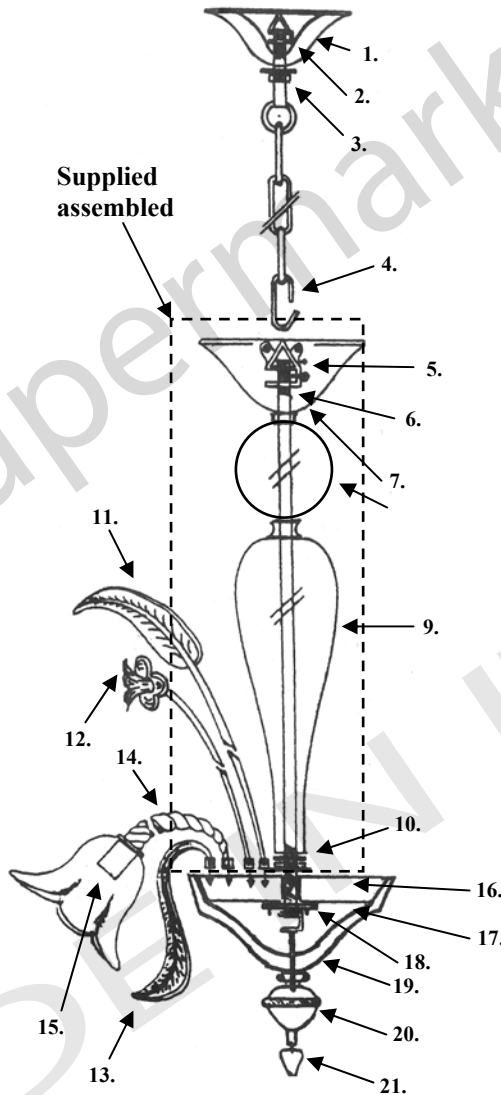
The manufacturer in not responsible if the fixtures are not installed in according to these instructions and to local safety standards.



### For glass component

#### Assembly legend:

1. Glass canopy
2. Metal canopy to hide the wires
3. Ring-brake with pressure screw and ring, to allow the glass canopy to smoothly adhere to the ceiling
4. Chain (length can vary), the last ring must be hooked to (5.) and closed with pliers
5. Ring by which the chandelier
6. Tiges (variable length) threaded top and bottom
7. Glass bowl
8. Glass sphere
9. Glass body part
10. Two plastic washers and knurled metal kasher to fix the metal plate
11. Upward glass leaver with rings at the bottom end to allow the glass to hang straight from the metal plate
12. Flower (same as 11.)
13. Downward leaver (same as 11.)
14. Arm (same as 11.)
15. Glass shade in which must be inserted the socket
16. Metal plate with hole where must be inserted the arms, the downward and upward leaves and the flowers
17. Aluminum cover for the metal plate
18. Threaded bolt to block the metal plate
19. Glass botton bowl
20. Glass ball
21. Glass finial



#### Assembly connector instructions:

- a) Pre-drill a hook appropriated to the ceiling where to be able to couple the luminaire;
- b) Insert and lock the GROUND cable in the clip marked with the ground symbol  $\oplus$ ;
- c) Insert and lock the LINE cable in the clip marked with the line symbol "L";
- d) Insert and lock the NEUTRAL cable in the clip marked with the neutral symbol "N";
- e) Move the canopy to touch the ceiling and to screw the screws.

#### Maintenance instruction:

**WARNING: THE LAMP IS VERY HOT, DON'T TOUCH TILL WHEN IT'S COLD**  
For lamp substitution:

- a) Disconnect main power;
- b) Turn the lamp and take one with the same technical characteristics;
- c) Connect main power and turn on the switch for power on the luminaire;

- A) Holes where must be inserted the arms, locked by screws.
- B) Holes where must be inserted decorative components (11, 12, 13)

